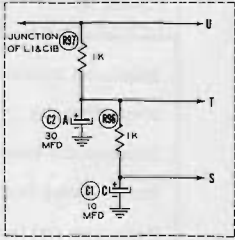
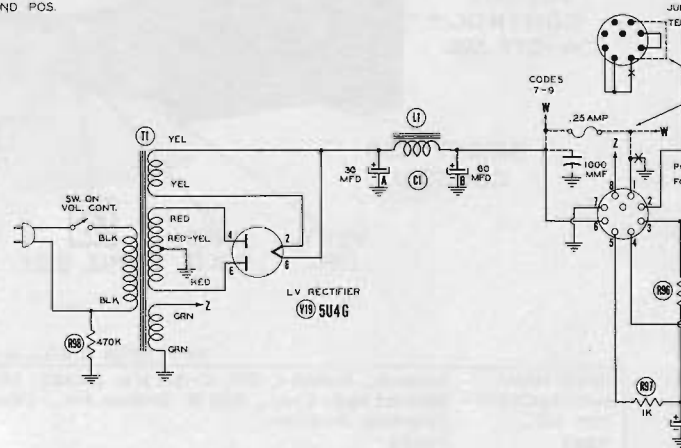


HI - LOW BAND SWITCH
SHOWN IN HI BAND POS.

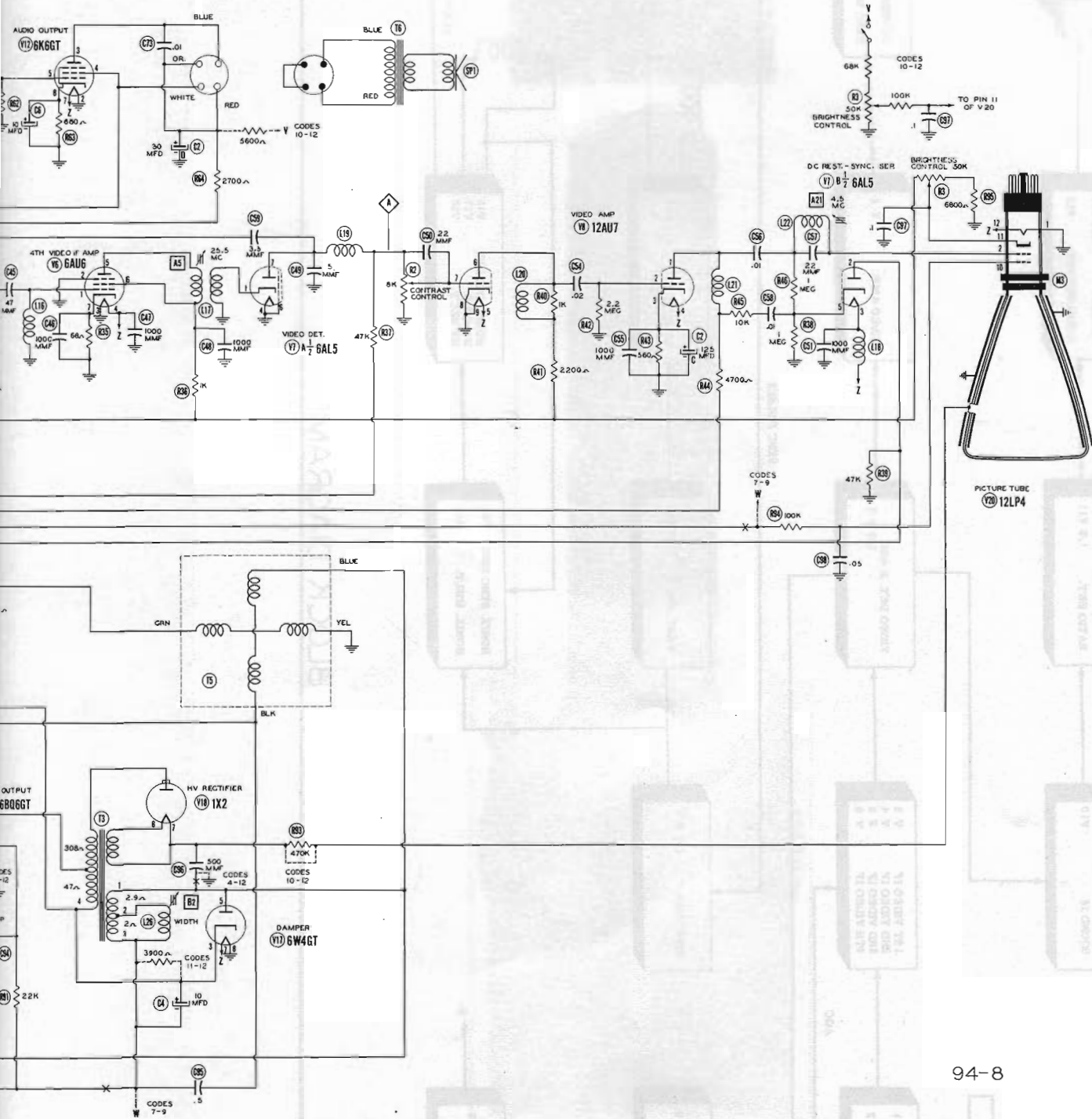
THE COOPERATION OF THE MANUFACTURER OF THIS
RECEIVER MAKES IT POSSIBLE TO BRING YOU THIS SERVICE

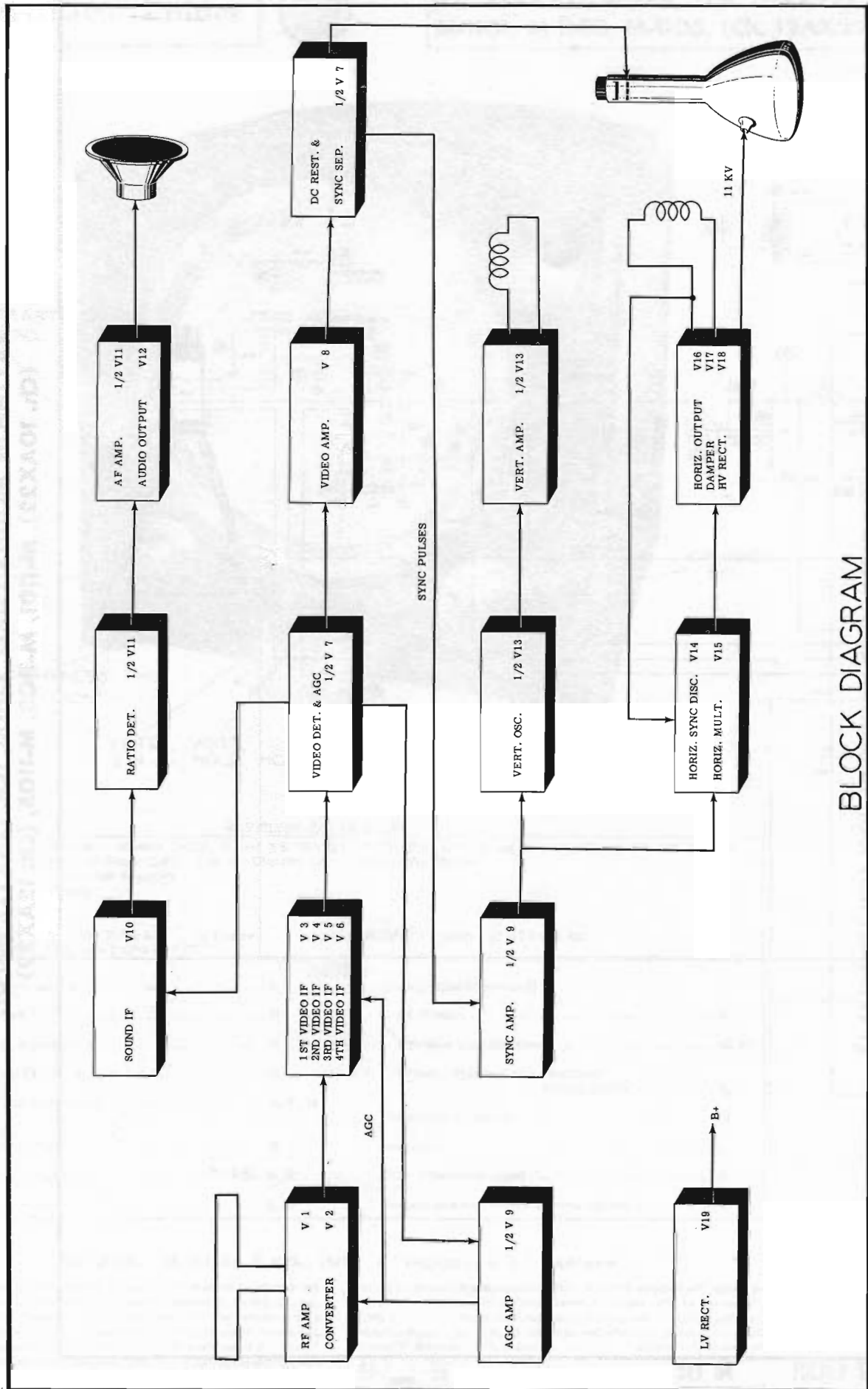


ALTERNATE CIRCUIT FOR MODEL M70

A PHOTOFAC STANDARD NOTATION SCHEMATIC
© Howard W. Sams & Co., Inc. 1950

**RAYTHEON MODELS C-1102, C-1104, (Ch. 12AX22), M-701,
(Ch. 10AX22), M-1101, M-1103, M-1105, (Ch. 12AX22)**





BLOCK DIAGRAM